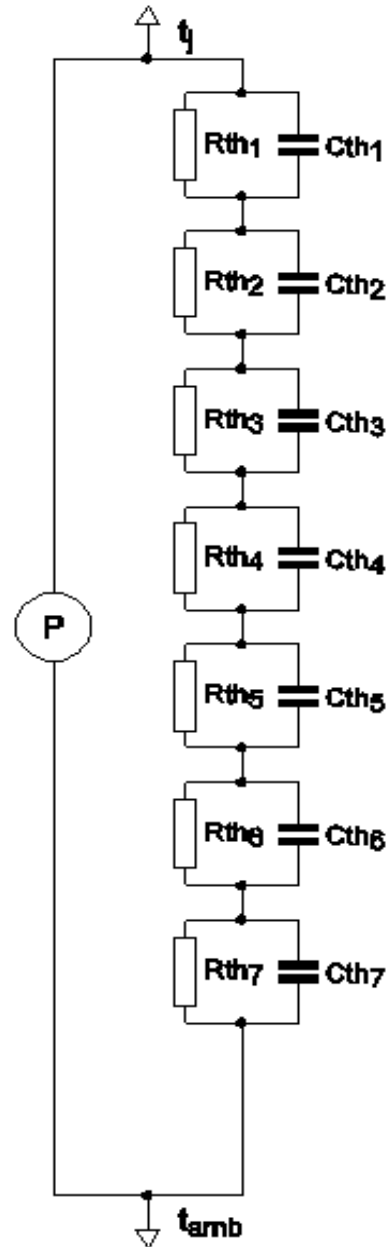


SPICE thermal model

PSMN5R5-60YS

Symbol	Parameter	Conditions	Min	Typ	Max	Unit
$R_{th(j-mb)}$	thermal resistance from junction to mounting base		-	-	0.50	K/W

C_{th1}	3.866E-05 F
C_{th2}	2.858E-04 F
C_{th3}	8.617E-04 F
C_{th4}	2.292E-03 F
C_{th5}	8.550E-03 F
C_{th6}	8.617E-02 F
C_{th7}	7.057E-02 F
R_{th1}	2.114E-03 Ω
R_{th2}	3.870E-03 Ω
R_{th3}	1.204E-02 Ω
R_{th4}	4.324E-02 Ω
R_{th5}	8.587E-02 Ω
R_{th6}	1.638E-01 Ω
R_{th7}	1.891E-01 Ω



Part: PSMN5R5-60YS
 Date: 16/5/2016
 Model Rth 0.50 K/W